

The continuously increasing disposal costs of emptied Big-Bags (disposable bags) make it mandatory to reduce the disposal volume. The compact design of the

## EMDE Big-Bag compactor BSV 800

permits an installation directly at the workplace. Cumbersome dust sources caused by the internal transport of emptied Big-Bags to the disposal container can be eliminated by a decentralized installation directly adjacent to the Big-Bag emptying.

The inlet trough can be connected to a filter using an aspiration adapter, which means that dust leakages are avoided, and a low dust insertion of the Big-Bag is guaranteed.

- ▶ *Low dust disposal of the emptied Big-Bag at the workplace*
- ▶ *Significant reduction of the disposal costs*
- ▶ *Connection option at customer supplied aspiration*
- ▶ *Ergonomically optimized work height*
- ▶ *Person protection in accordance with the machine directive*
- ▶ *Mobile version for the use at different workplaces*
- ▶ *Suitable disposable Big-Bags for the packing disposal are part of the scope of delivery*
- ▶ *Universal usage - not only suitable for Big-Bag disposal*

**Material:**

Normal steel, paint coated  
Stainless steel 1.4301 and 1.4571

**Compacting ratio:**

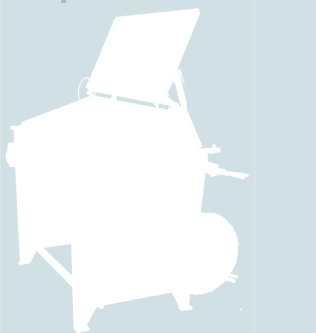
20 to 30 Big-Bags into 1 disposal Big-Bag

**In addition, the EMDE BSV 800 compacts:**

- Wood shavings
- Cotton batting
- Cardboard boxes
- Films and plastic waste
- Wool and fabric residues



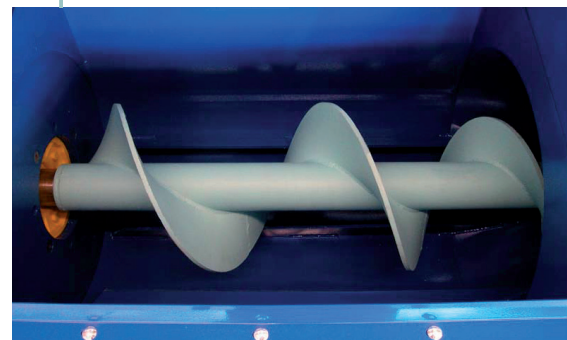
BSV 800 – stationary



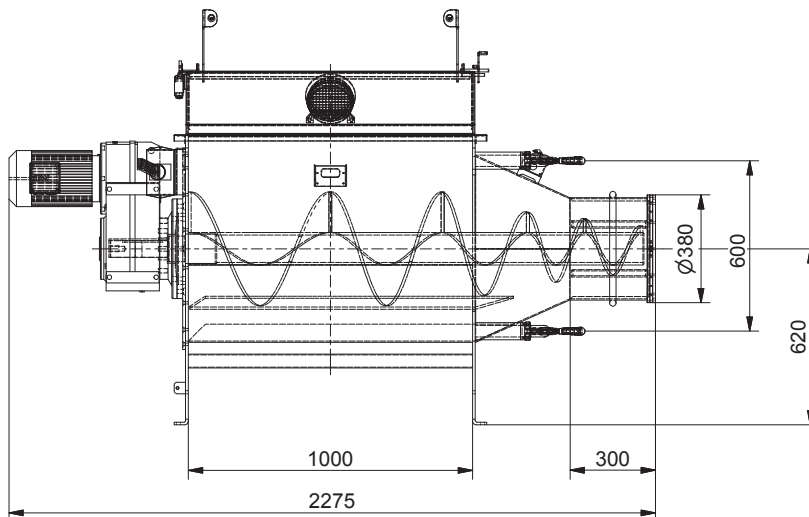
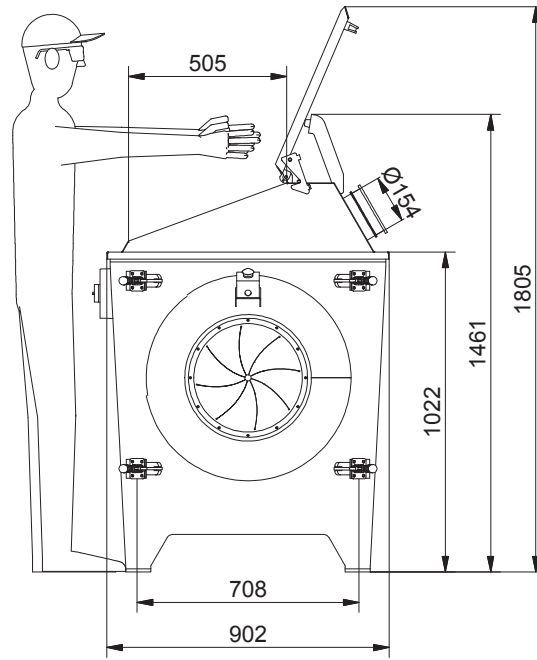
Mobile EMDE Big-Bag compactor BSV 800



Compacter screw in the BSV 800



# Safe & Compact



**EMDE**

**Automation GmbH**

Koppelheck ■ D-56377 Nassau  
Phone +49 (0) 26 04 - 97 03 - 0

[www.emde.de](http://www.emde.de)