

A prerequisite for organization and cleanliness at the work place is the dust-tight connection of containers at the handling of bulk goods. This guarantees you the Single-handed Sack Clamp at the charging respectively emptying of Big-Bags and sacks.

## EMDE Single-handed Sack Clamp

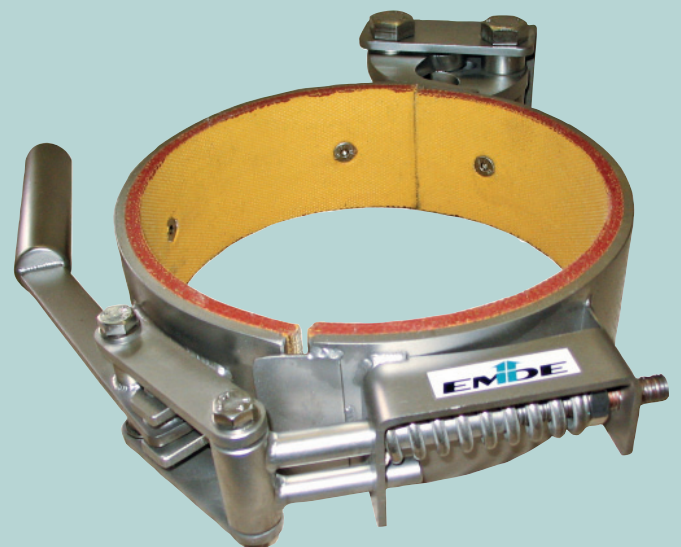
- ▶ *Dust-tight connection of Big-Bags, sacks and inliner*
- ▶ *Single-handed operation*
- ▶ *Exchangeable seal insert optional electrical conductivity*
- ▶ *Stable double joint mounting*
- ▶ *Adjustable closing force*
- ▶ *Complete stainless steel design*

### *Possible field of application:*

Connection of Big-Bag filling and discharge sockets  
Open-Sack-Filling  
Inliner connection

**Material:** Stainless steel, 1.4301  
Stainless steel, 1.4571

**Size:** D| 150– 600

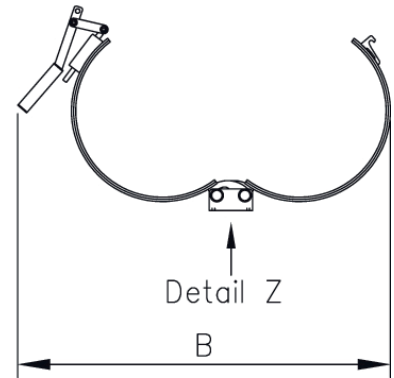
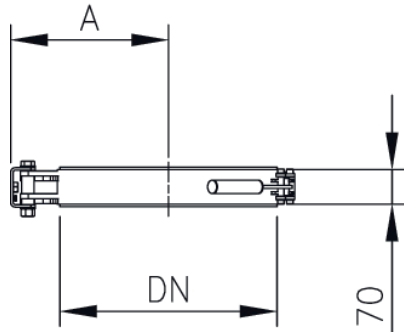


# Firmly under control

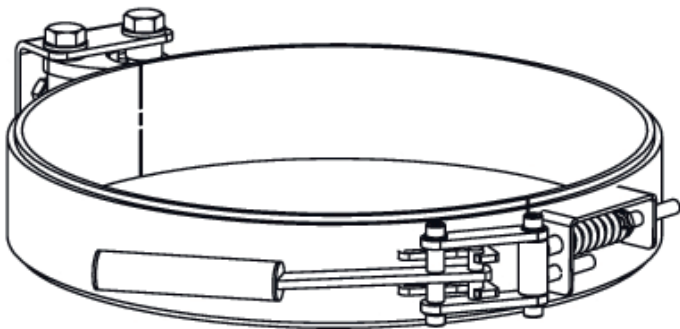
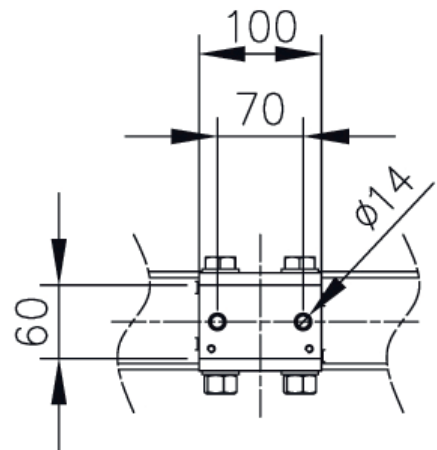
Dimensions of standard sizes

DN [mm]	Distance A [mm]	Distance B [mm]
150	185	488
160	190	511
180	200	548
200	210	568
220	220	602
240	230	637
250	235	652
280	250	704
300	260	740
330	275	769
350	285	786
380	300	849
400	310	878
430	325	926
450	335	957
475	348	1012
500	361	1031
550	386	1093
600	411	1213

Intermediate sizes upon request



Detail Z



D118-0027 Technical specifications subject to change, mistakes are possible.