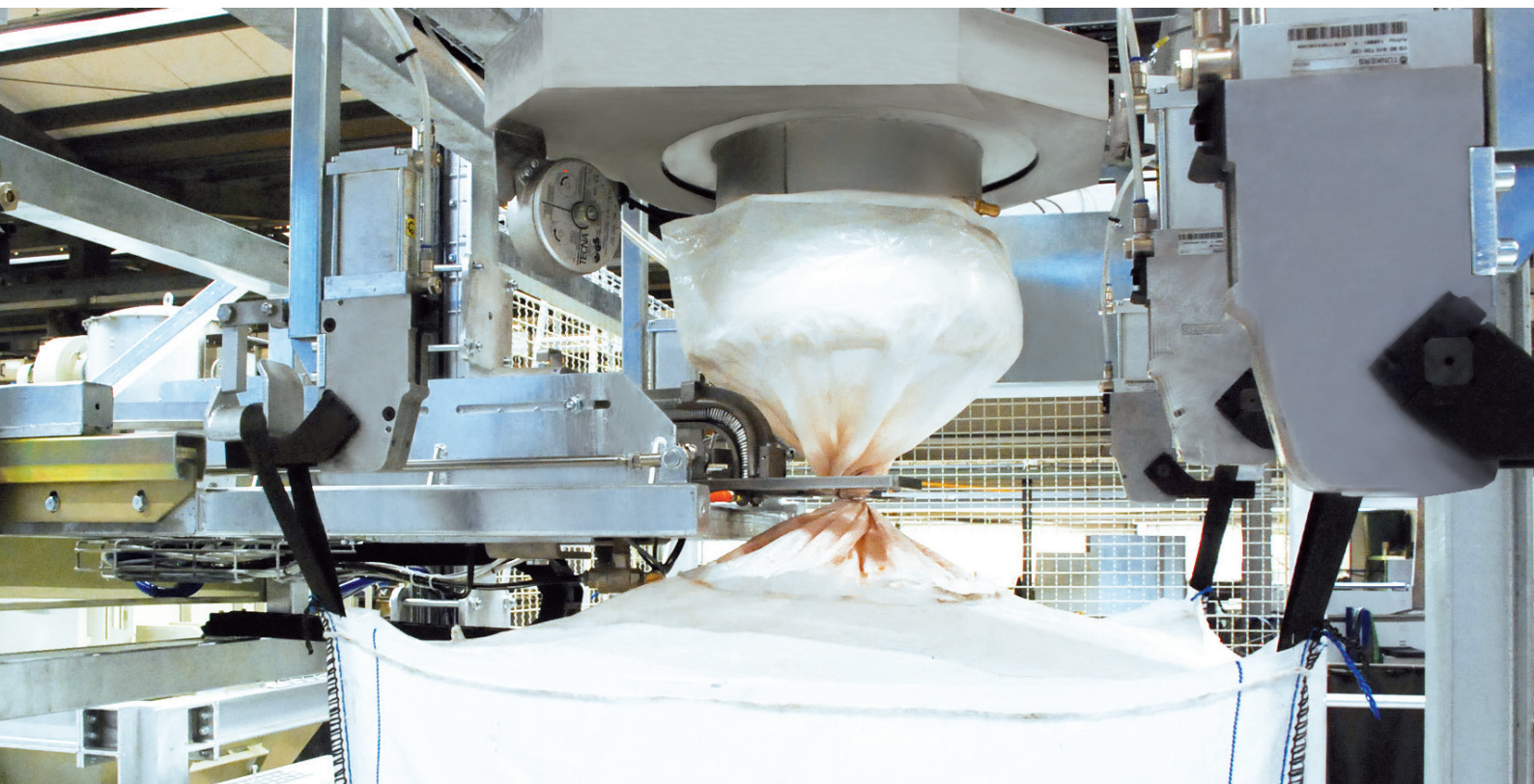
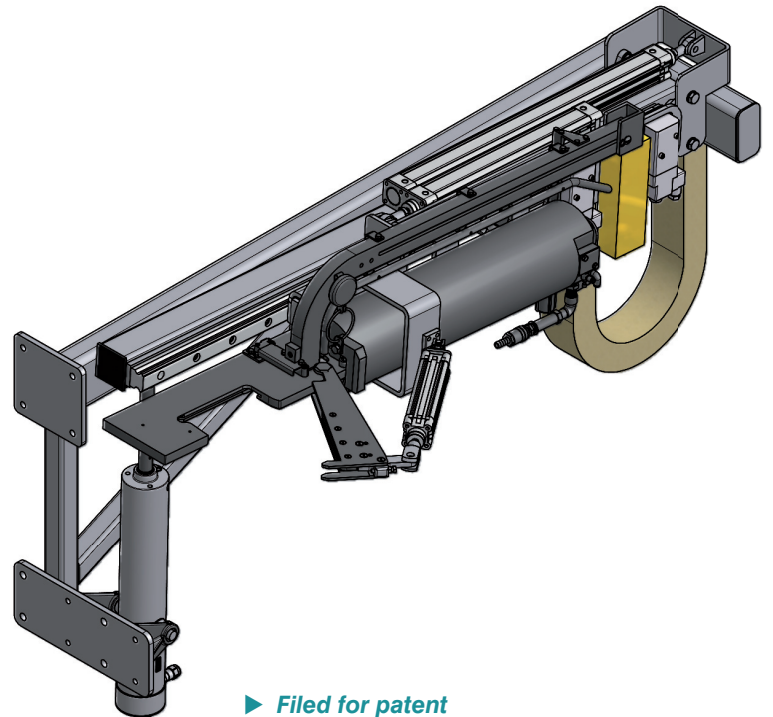


Big-Bags with little dust generation

Filling and closing

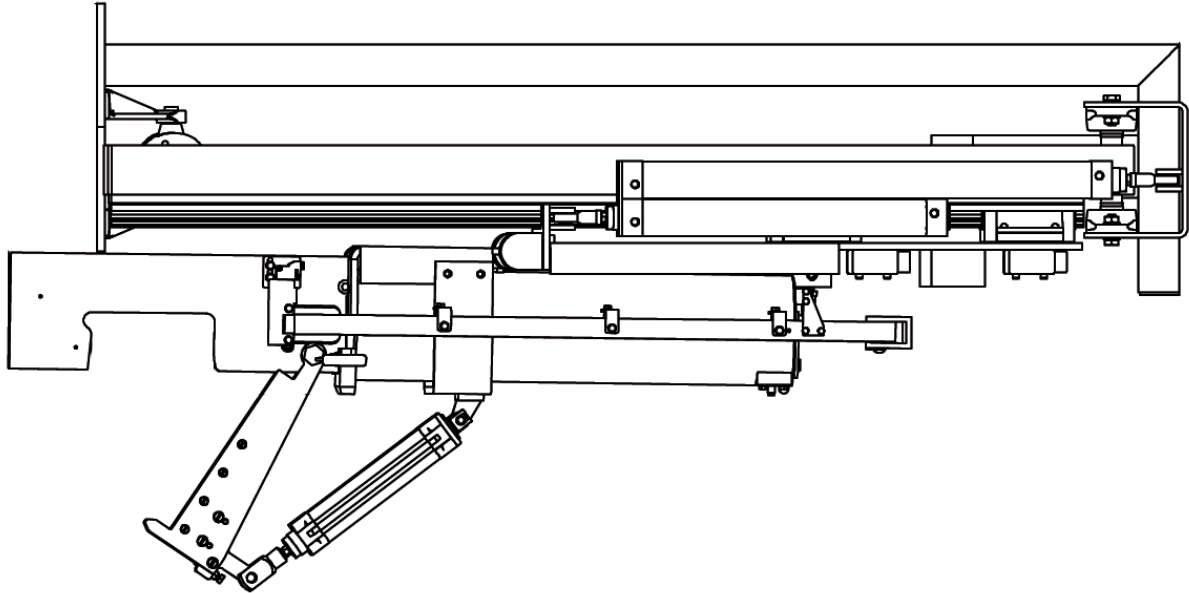
in one step - a first for automatic filling systems!
The filling adapter will be closed safely and dust-proof using a plastic or aluminum clip.
The closing system is equipped with an optical position identification unit, which means that the optimal working/closing position will be reached automatically. The rotatable filling head guarantees the filling adapter constriction.

- ▶ *Dust proof filling adapter locking through an inflatable hose*
- ▶ *Robust filling adapter twisting device with twisting by 350°*
- ▶ *Optoelectronic position identification of the closing position*
- ▶ *Safe closing in seconds with aluminum or plastic clips*
- ▶ *Clip closing times approx. 10 seconds*



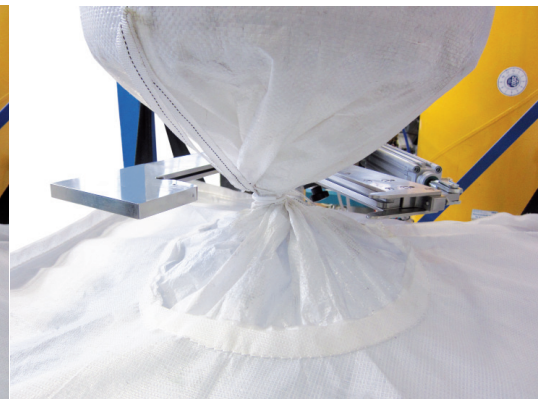
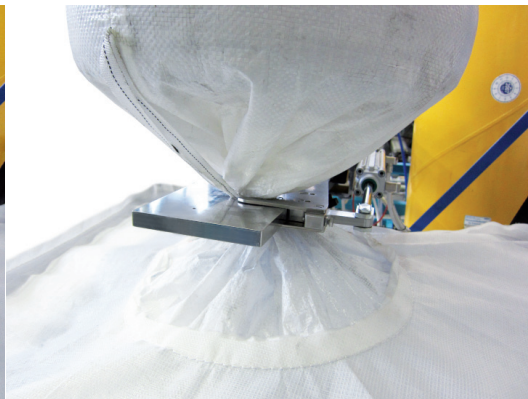
Filling and closing

Top view of the closing apparatus



The information in the brochure is non-binding. Subject to technical changes.

D118-0044



EMDE

Automation GmbH

Koppelheck ■ D-56377 Nassau

Phone +49 (0) 26 04 - 97 03 - 0

www.emde.de